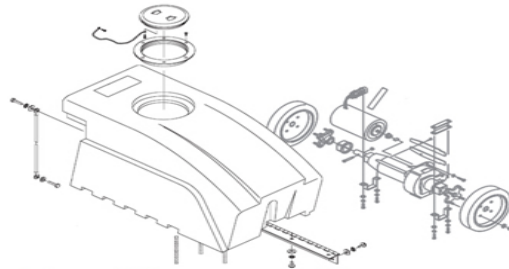


Minuteman[®]

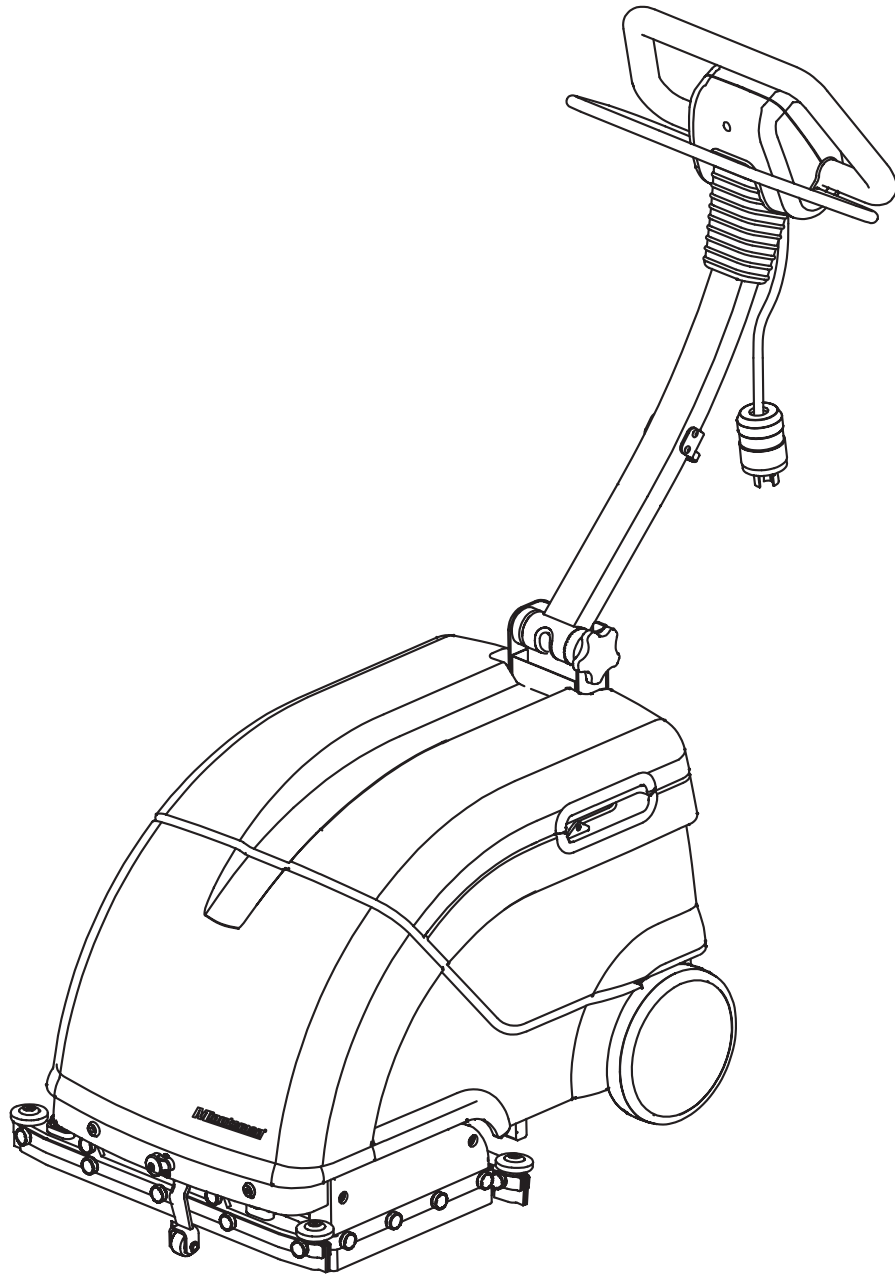


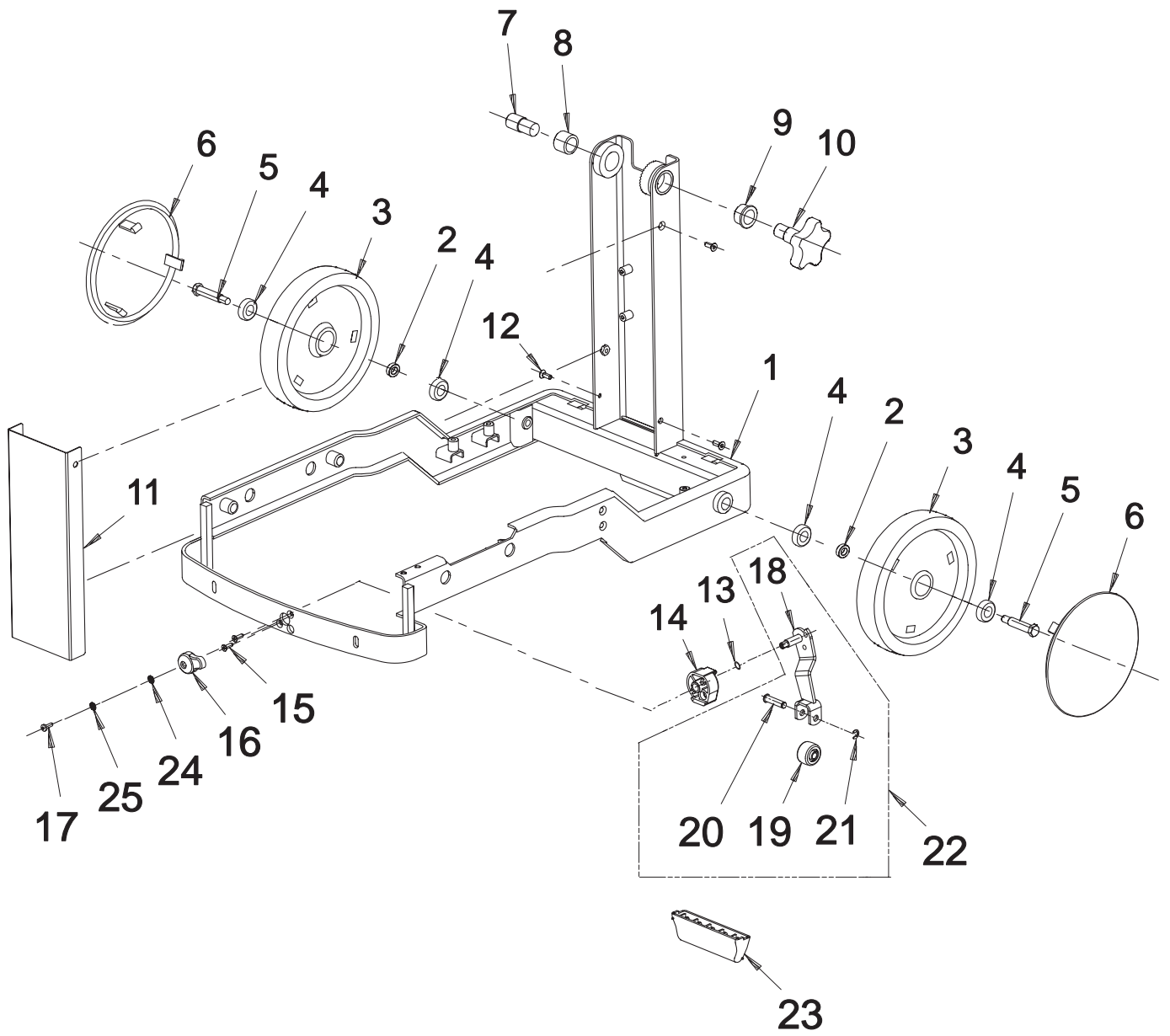
Spare Parts Catalog



FLOOR-EQUIPMENT-PARTS.COM

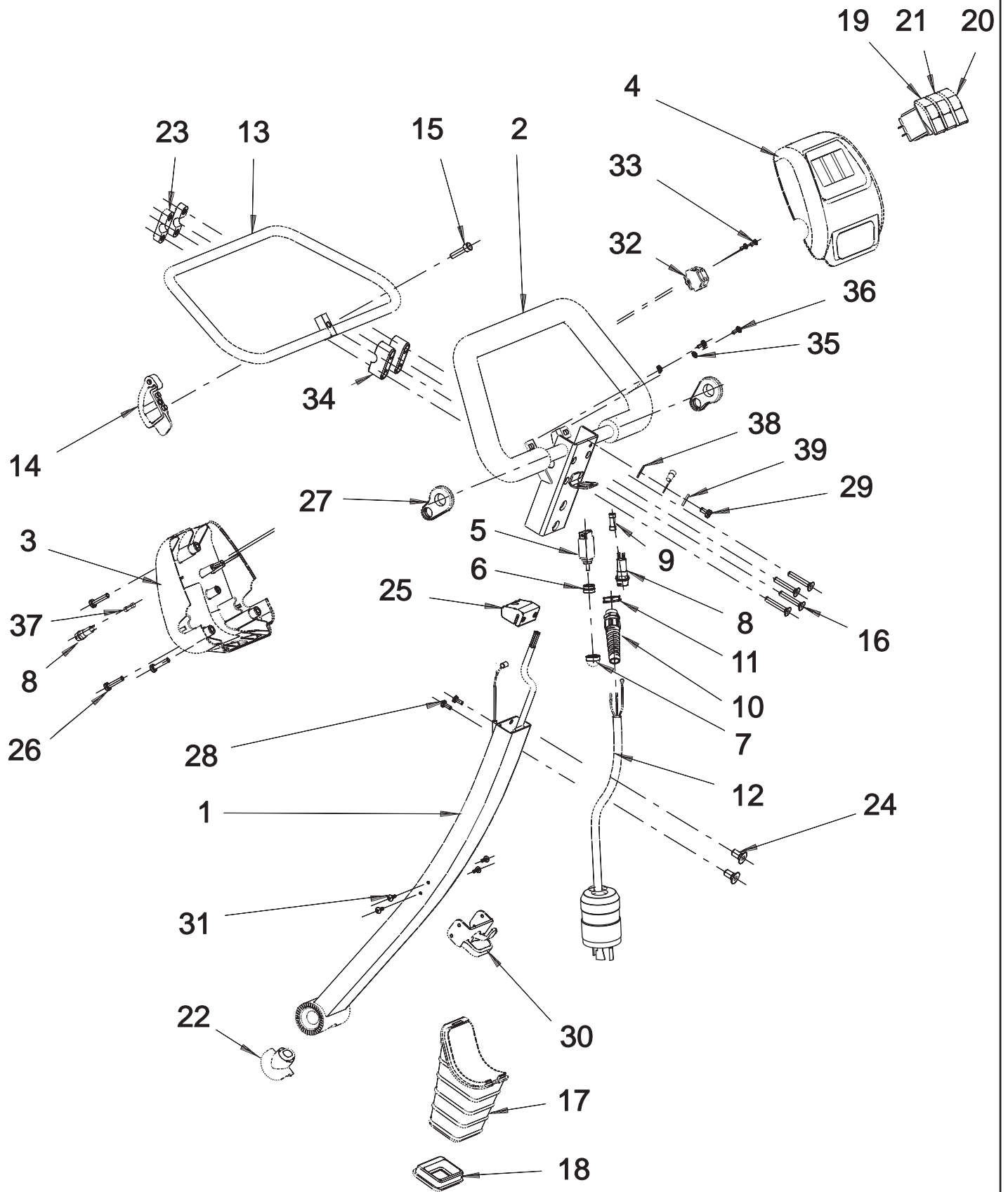
PORT A SCRUB 14 Floor Scrubber Drier





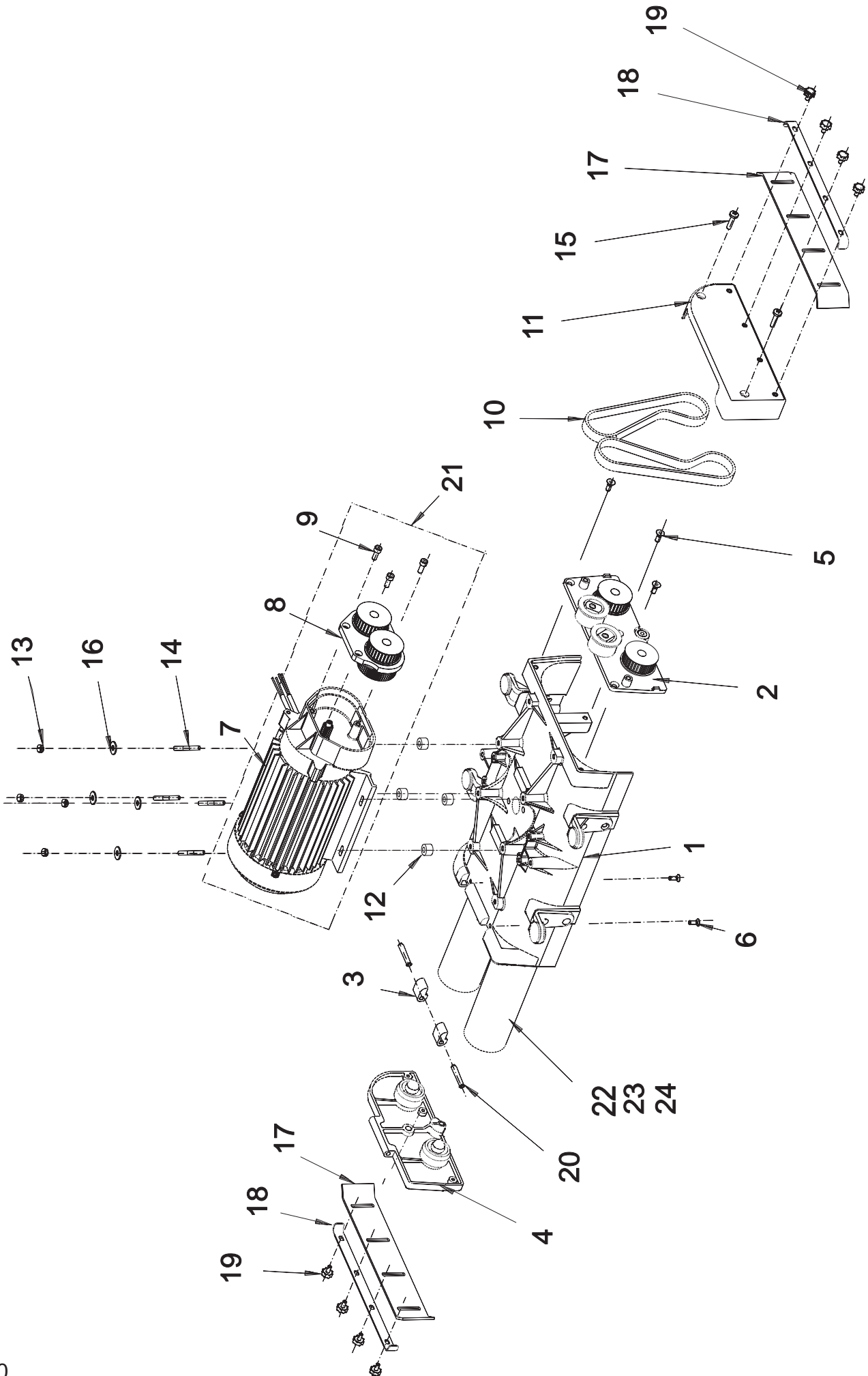
Chassis Group

Ref. No	Part No	Description	Size	Qty
1	931785	Base Frame Assy		1
2	931053	Spacer - Wheel		2
3	931756	Wheel		2
4	875001	Bearing - 6000ZZ		4
5	931042	Pin - Wheel		2
6	931128	Cover - Wheel		2
7	931045	Hex. Soc. Head Pin		1
8	931044	Bush RH - Pillar Handle		1
9	931043	Bush LH - Pillar Handle		1
10	931753	Knob - Handle		1
11	931783	Cover Assy - Pillar		1
12	829203	Hex Soc CSK Head Screw - SS	M5X10	2
13	845012	O ring	10.0X2.5	1
14	931789	Bracket - Parking Wheel		1
15	841106	CRCSK Head Self Tapping Screw	4.2X16	2
16	931209	Knob - Parking Wheel		1
17	818104	CRPH Screw - SS	M4X12	1
18	931775	Stand		1
19	925810	Wheel - Stand		1
20	925008	Clevis Pin		1
21	925129	Circlip - SS	E6	1
22	931842	Stand - Lever Sub Assy		1
23	931139	Handle - Lifting		1
24	863040	Spring washer - St	M4	1
25	844041	Washer - St	4.3X9X0.8	1



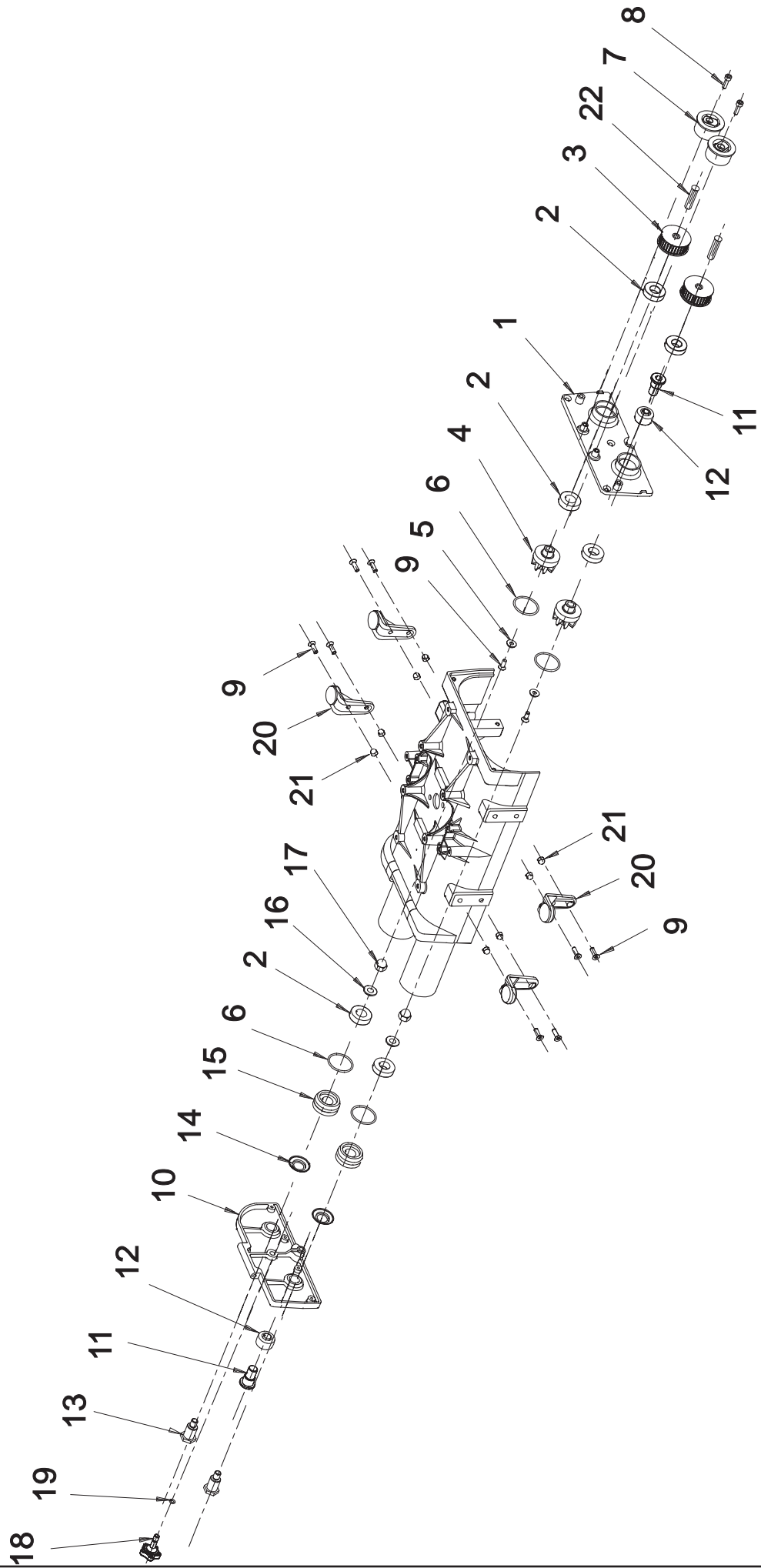
Handle Group

Ref. No	Part No	Description	Size	Qty
1	931778	Handle Assy		1
2	931751	Steering Assy		1
3	931281	Switch Cover - Bottom		1
4	931282	Switch Cover - Top		1
5	927054	Circuit Breaker - 5A		1
6	928107	Nut - Circuit Breaker		1
7	925124	Cap - Circuit Breaker		1
8	927095	Fuse Holder		2
9	922222	Glass Fuse - T6.3A		1
10	872004	Cable Gland with spiral guards	PG 16	1
11	931165	Lock Nut - Cable Gland		1
12	3180038	Power Cable Assy	50 f	1
13	931776	Shifter Assy		1
14	931174	Bracket - Shifter		1
15	831308	Hex. Soc. Hd Cap Screw - St	M6X25	1
16	829210	Hex. Soc. Csk Hd Screw - SS	M5X35	4
17	931183	Bellow - Handle		1
18	931199	Plug - Handle Cover		1
19	931838	Switch - BM		1
20	931840	Switch - Pump		1
21	931839	Switch - VM		1
22	931182	Boot Cable		1
23	931166	Guide - Shifter Top		2
24	828406	Hex. Soc. Csk Hd Screw - St	M8X16	2
25	931158	Guide - Rope		1
26	837208	CRPH Self Tapping Screw - St	4.8X25	3
27	931194	Grommet - Switch Cover		2
28	818104	CR Pan Head Screw - SS	M4X12	2
29	817203	CR Pan Head Screw - St	M5X10	1
30	931177	Retainer - Cable		1
31	855004	Multigrip Blind Rivet	3.2X11.11	4
32	931845	Connector - Elec. Box		1
33	836004	CRPH Self Screw - SS	3.5X13.0	2
34	931134	Guide - Shifter Bottom		2
35	845052	Washer - SS	5.2X10X1.6	2
36	837207	CRPH Self Tapping Screw - St	4.8X16	2
37	931234	Glass Fuse - T0.5A		1
38	866050	External Toothed Washer - St	M5	1
39	845052	Washer - SS	5.2X10X1.6	1



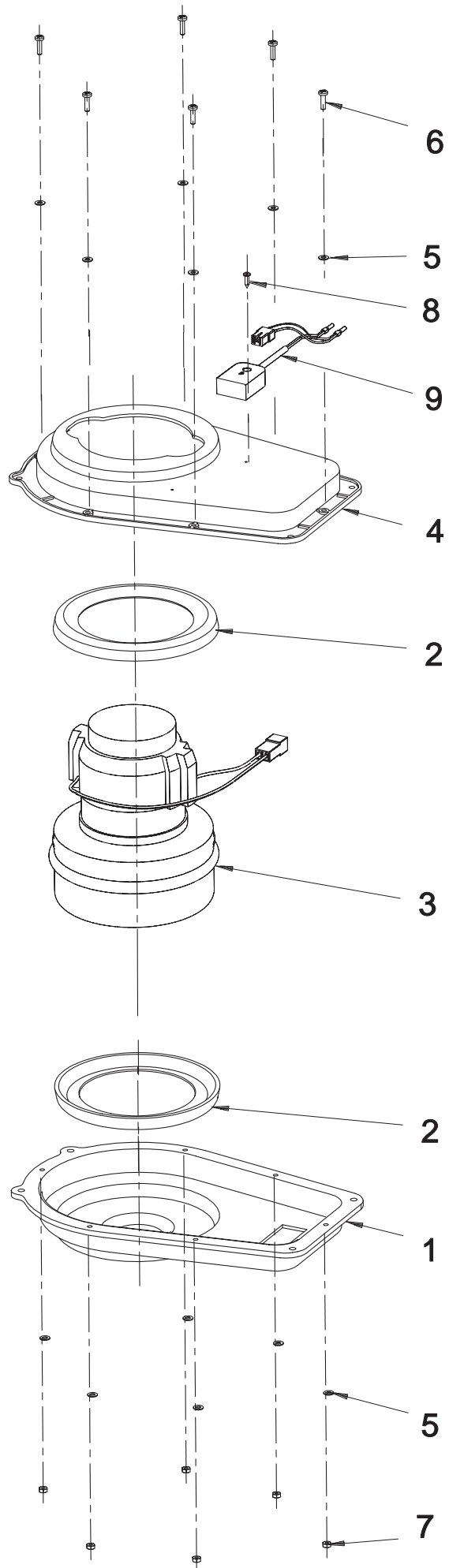
Brush Drive Group

Ref. No	Part No	Description	Size	Qty
1	931001	Housing - Brush		1
2	931808	Drive Support Assy Brush		1
3	931171	Hinge - Idler End		2
4	3180042	Idler Support Assy Brush		1
5	829306	Hex. Soc. CSK Hd Screw -SS	M6X16	3
6	829203	Hex. Soc. CSK Hd Screw -SS	M5X10	2
7	931300	Brush Motor		1
8	931853	Housing Assy - Gear Support		1
9	831306	Hex. Soc. Hd Cap Screw - St	M6X16	3
10	860001	Drive Belt 475-5M-15 HTD		2
11	931127	Cover - Belt		1
12	931032	Spacer - Motor		4
13	859068	Hex. Nylock Nut - St	M6	4
14	931031	Stud - Brush Housing		4
15	831308	Hex. Soc. Hd Cap Screw - St	M6X25	2
16	844063	Washer - St	6.4X18X2.0	4
17	931235	Lip - Flash Guard		2
18	931067	Strip - Flash Guard		2
19	931172	Knob - Sqq		8
20	852640	Dowel Pin	6X40m6	2
21	931812	Geared Motor		1
OPTIONAL				
22	931892	Brush (PA / Blue)		2
23	931893	Brush (PP / Black)		2
24	931894	Brush (SIC / Grey)		2



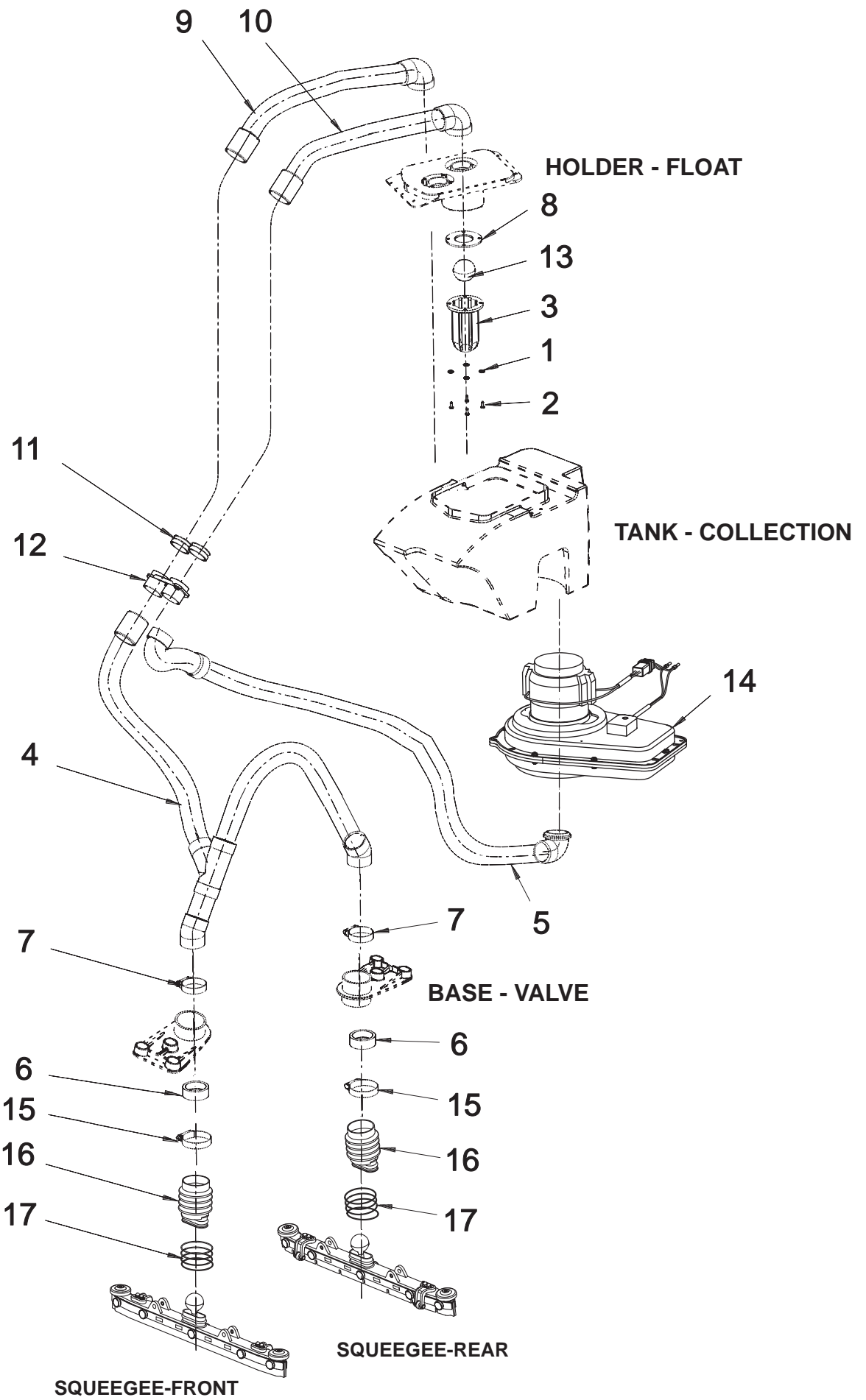
Brush Head Group

Ref. No	Part No	Description	Size	Qty
1	931005	Cover - Drive End		1
2	875010	Bearing	6003 2RS	6
3	931852	Sprocket - Gear Assembly		2
4	931129	Pulley - Drive		2
5	925012	Washer - Bridge		2
6	854007	O ring	36X2.5	4
7	931815	Idler - Plain Assy		2
8	831307	Hex. Soc. Hd Cap Screw - St	M6X20	2
9	829306	Hex. Soc CSK Hd Screw - SS	M6X16	8
10	931004	Cover - Idler End		1
11	931058	Pin - Brush Wheel		2
12	931163	Wheel - Brush		2
13	931052	Pin - Idler End		2
14	931157	Spacer - Idler End		2
15	931803	Brush Idler Sub Assy		2
16	845101	Washer - SS	10.5X20X2	2
17	838100	Domed Cap Nut - SS	M10	2
18	931758	Knob - Idler Cover		1
19	854008	O ring	6X2.0	1
20	931136	Holder - Sqq		4
21	838060	Domed Cap Nut - SS	M6	8
22	931027	Drive Key		2



Vacuum Motor Assembly

Ref. No	Part No	Description	Size	Qty
1	931221	Hsg Bottom - V.M		1
2	931197	Gasket - V.M		2
3	931846	V.M with Connector Assy		1
4	931222	Hsg Top - V.M		1
5	844041	Washer - St	4.3X9X0.8	12
6	817105	CR Pan Head Screw - St	M4X15	6
7	822046	Hex. Nut - St	M4	6
8	836004	CRPH Self Screw - St	3.5X13	1
9	931869	Wire Assy - V.M Capacitor		1

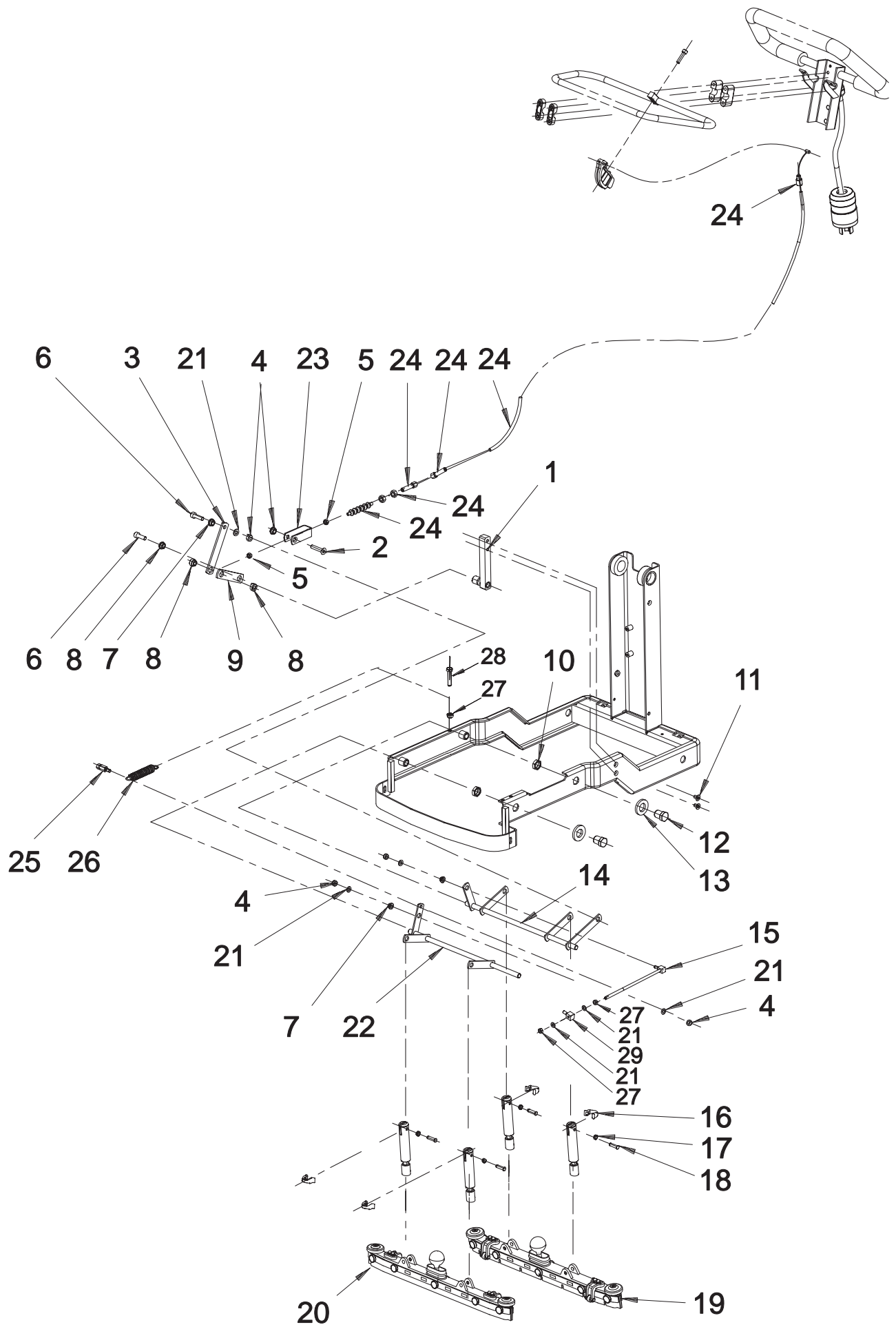


Vacuum Motor Group

Ref. No	Part No	Description	Size	Qty
1	845039	Washer - SS	4.0X8.0X0.5	4
2	836006	CRPH Self Tapping Screw - SS	3.5X16	4
3	931132	Guide - Float		1
4	931847	Hose Assy - Sqq		1
5	931848	Hose Assy - VM		1
6	931191	Lip - Valve		2
7	881028	Hose Clamp	32-45X1.6	2
8	931196	Gasket - Float		1
9	931851	Hose Assy - Collection		1
10	931850	Hose Assy - Vacuum		1
11	931204	Gasket - Mouth		2
12	931140	Base - Hose Connection		1
13	931810	Float		1
14	931832	Vacuum Motor Sub Assy		1
15	881003	Hose Clamp	32-50X1.6	2
16	931184	Bellow - Sqq		2
17	931054	Ring - Bellow		8

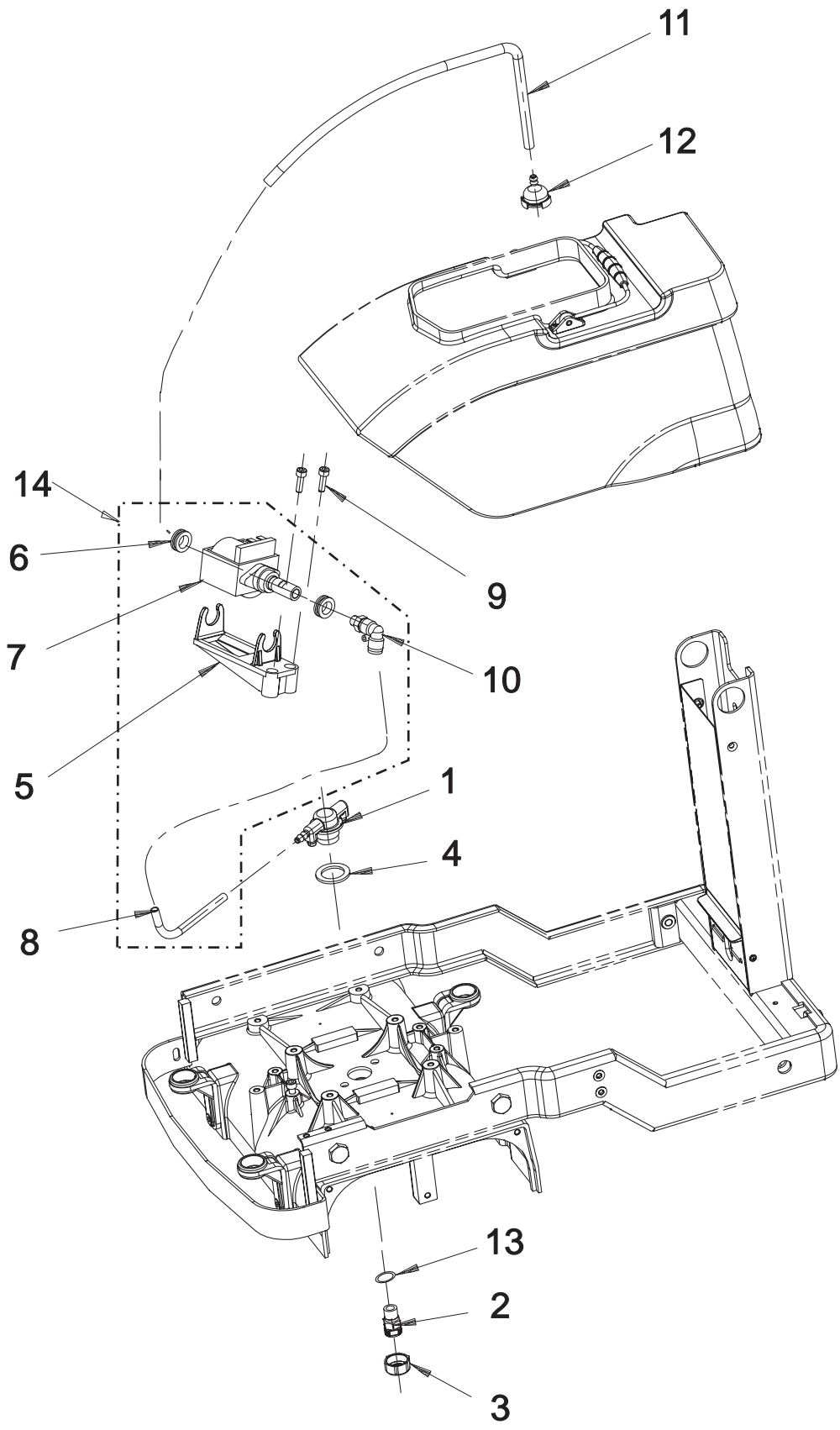
Squeegee Group

Ref. No	Part No	Description	Size	Qty
1	931180	Body Sqq - Front		1
2	931169	Body Sqq - Rear		1
3	931126	Valve Bottom		2
4	931170	Valve Top		2
5	832213	Hex. Soc. Hd Cap Screw - SS	M5X50	2
6	931233	Lip - Sqq. Inner		2
7	931224	Lip - Sqq. Outer		2
8	931061	Strip - Lip Sqq		4
9	931172	Knob - Sqq		20
10	931826	Squeegee Rod Sub Assy		4
11	931277	Guide - Pillar Sqq		4
12	931175	Bush Top - Pillar Sqq.		4
13	931050	Pin 10 - Pillar Sqq		4
14	931135	Bush Bottom - Pillar Sqq		4
15	931251	Spring - Pillar Sqq.		4
16	931178	Knob - Pillar		4
17	931146	Deflector - Roller		4
18	931147	Washer - Deflector		4
19	829303	Hex. Soc. CSK Head Screw - SS	M6X10	4
20	931841	Wheel - Sqq. Assy		4
21	838050	Domed Cap Nut - SS	M5	8
22	845052	Washer - SS	5.2X10X1.6	12
23	818206	CR Pan Head Screw - SS	M5X16	8



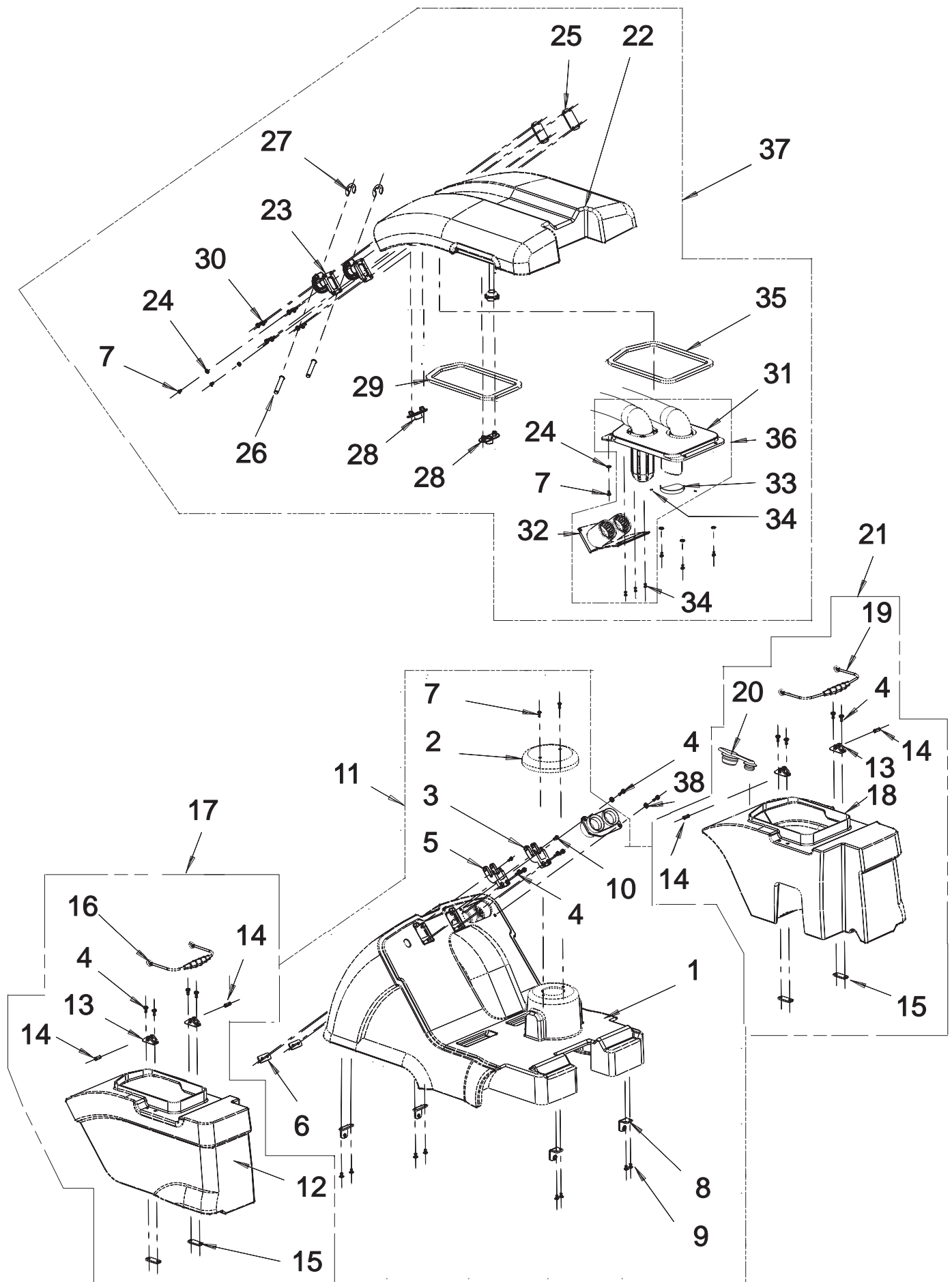
Squeegee Lifting System

Ref. No	Part No	Description	Size	Qty
1	931780	Fulcrum Assy		1
2	828309	Hex. Soc CSK Head Screw - St	M6X30	1
3	931109	Link - 75		1
4	859068	Hex. Nylock Nut - St	M6	5
5	822056	Hex. Nut - St	M5	2
6	831323	Hex. Socket Head Cap Screw - St	M6X18	2
7	931273	Bush - Sqq		3
8	931274	Spacer 3.25		3
9	931107	Link - 50		1
10	931019	Nut - Sqq Rod		2
11	829207	Hex. Soc Csk Hd Screw - SS	M5X20	2
12	931017	Pivot Screw - Sqq		2
13	931117	Washer - Sqq		2
14	931781	Sqq. Rod Assy - Rear		1
15	931787	Stud - Adj		1
16	931181	Clip - Clamp		4
17	931275	Bush 9.8 - Sqq		4
18	931051	Pin 6 - Pillar Sqq		4
19	931824	Squeegee Rear		1
20	931823	Squeegee Front		1
21	844061	Washer - St	6.4X12X1.6	6
22	931782	Sqq Rod Assy - Front		1
23	931112	U Bracket - Rope		1
24	931804	Cable Assy - Squeegee		1
25	931055	Pin - Hook Spring		1
26	931252	Hook - Spring		1
27	822066	Hex. Nut - St	M6	3
28	803309	Hex. Head Screw - St	M6X30	1
29	931034	Connector - Link		1



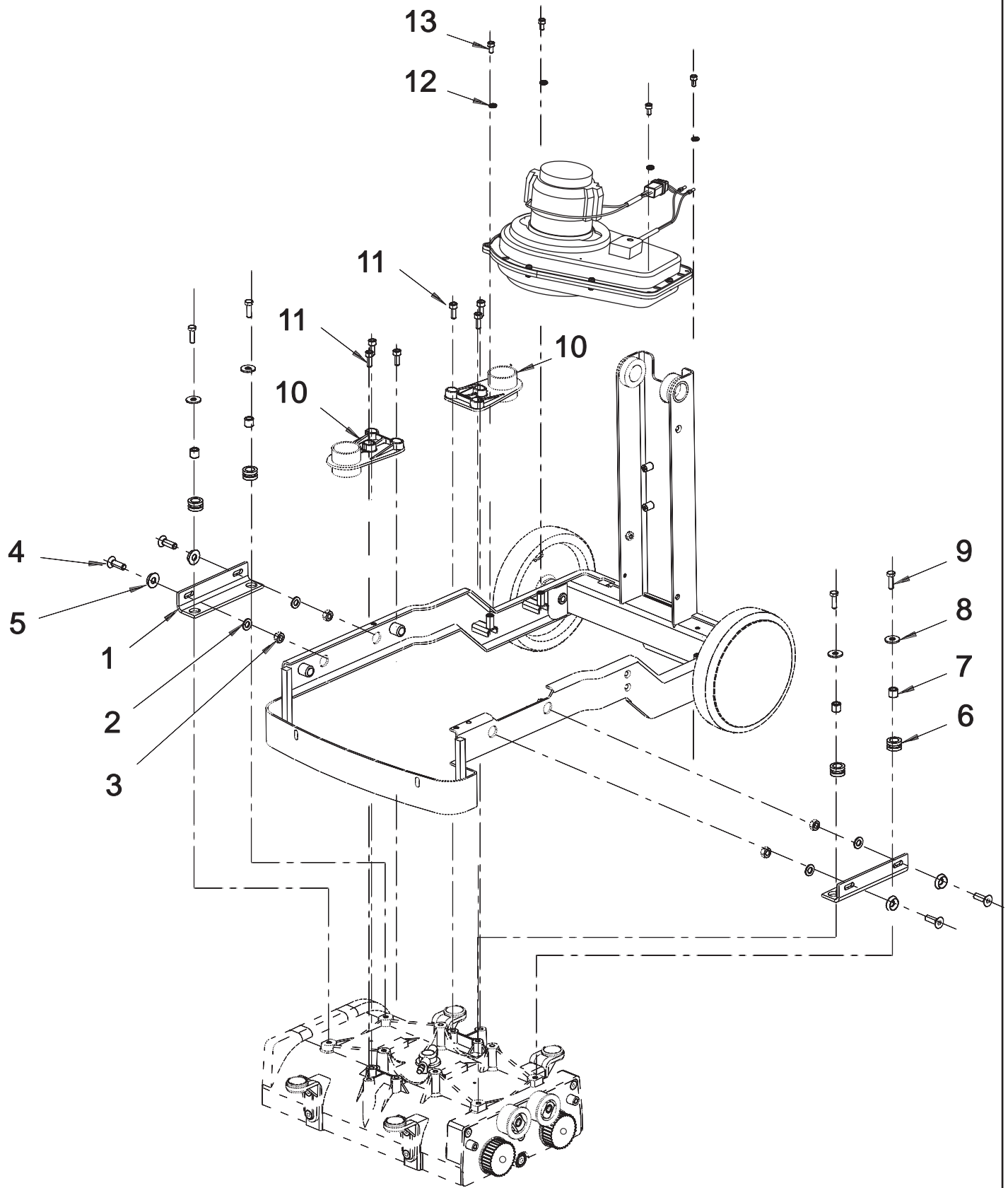
Water Feed System

Ref. No	Part No	Description	Size	Qty
1	931142	Holder - Nozzle		1
2	931816	Nozzle Assy		1
3	931143	Nut - Nozzle		1
4	931198	Washer - Nozzle		1
5	931131	Bracket - Pump		1
6	928024	Support Ring		2
7	928054	Vibrating Pump - 230-240V50Hz		1
8	931292	Tube - Nozzle	L=300.0±5.0	1
9	831307	Hex. Soc Hd Cap Screw - St	M6X20	2
10	861001	One Touch Male Elbow	R1/8"	1
11	931290	Hose - Pump	L=875.0±5.0	1
12	931809	Filter		1
13	854009	O' Ring	14X1	1
14	3180036	Pump assy 230V 50Hz		1



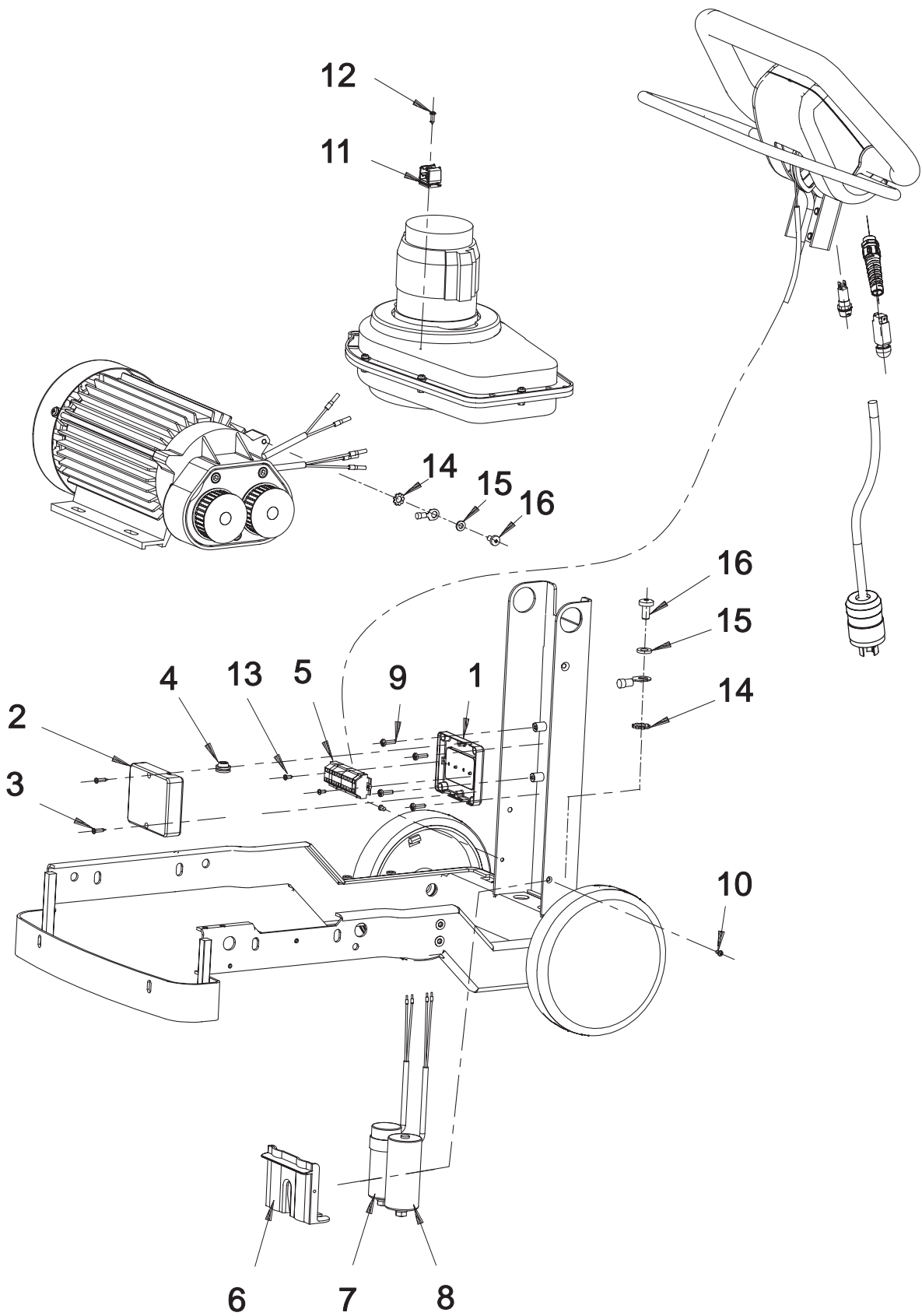
Tank Group

Ref. No	Part No	Description	Size	Qty
1	931215	Bottom Housing		1
2	931125	Cap - V.M		1
3	931144	Yoke Hinge - Lid (Right)		1
4	818104	CR Pan Head Screw - SS	M4X12	14
5	931162	Yoke Hinge - Lid (Left)		1
6	931063	Mounting Plate - Bot. Hsg		2
7	836004	CRPH Self Screw - SS	3.5X13	8
8	931159	Bracket - Housing		4
9	812104	CRCSK Screw - St	M4X12	8
10	836003	CRPH Self Screw - SS	3.5X9.5	2
11	931792	Bottom Housing Assy		1
12	931217	Tank - Fresh		1
13	931148	Bracket - Tank		4
14	857315	Spring Dowel - SS	6X16	4
15	931062	Mounting Plate - Tank		4
16	931754	Handle - Fresh		1
17	931793	Tank - Fresh assy		1
18	931218	Tank - Collection		1
19	931755	Handle - Collection		1
20	931203	Cap - Collection Tank		1
21	931794	Tank - Collection Assy		1
22	931216	Lid		1
23	931145	Hook Hinge - Lid		2
24	845039	Washer - SS	4.0X8.0X0.5	6
25	931087	Mounting Plate - Lid		2
26	931066	Pin - Hinge Lid		2
27	882031	Circlip - SS	5C	2
28	931156	Hose Guide		2
29	931265	Gasket - Fresh		1
30	818105	CR Pan Head Screw - SS	M4X15	8
31	931133	Holder - Float		1
32	931141	Mouth - Lid		1
33	931214	Disc - Lid Outlet		1
34	898003	Rivet	3X8	5
35	931264	Gasket - Collection		1
36	931811	Float Assy		1
37	931795	Top Cover Assy		1
38	845041	Washer - SS	4.3X9.0X0.8	2



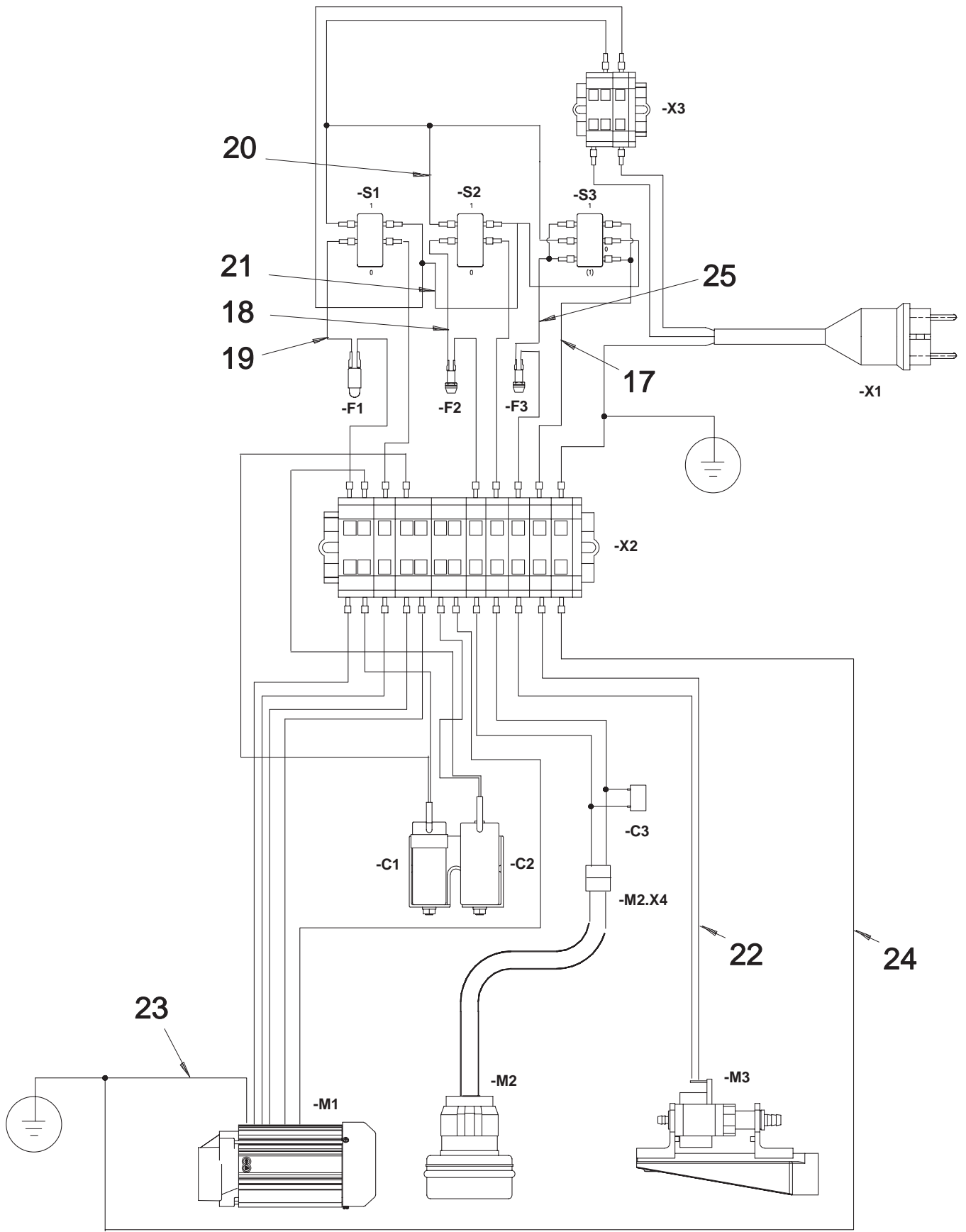
Drive Group

Ref. No	Part No	Description	Size	Qty
1	931080	Bracket - Brush Head		2
2	844063	Washer - St	6.4X18X2	4
3	859068	Hex. Nylock Nut - St	M6	4
4	829307	Hex. Soc. CSK Head Screw - SS	M6X20	4
5	925012	Washer - Bridge		4
6	931193	Grommet - Brush Hsg.		4
7	931026	Sleeve - Hsg. Brush		4
8	844071	Washer - St	7X20X2	4
9	803308	Hex. Head Screw - St	M6X25	4
10	931153	Base - Valve		2
11	831306	Hex. Soc. Hd Cap Screw - St	M6X16	6
12	845052	Washer - SS	5.2X10X1.6	4
13	818206	CR Pan Head Screw - SS	M5X16	4



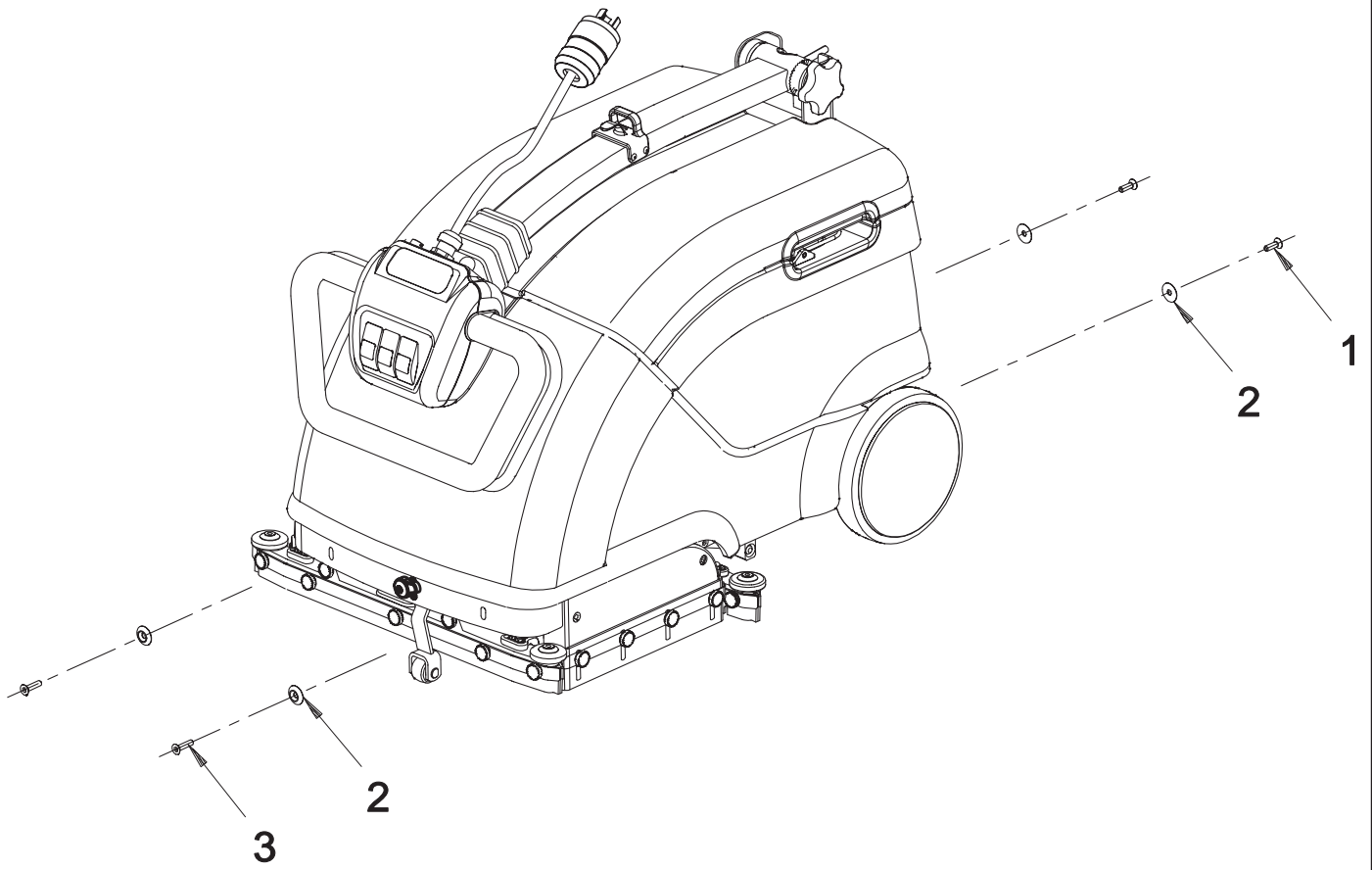
Electrical Group

Ref. No	Part No	Description	Size	Qty
1	931149	Base - Terminal		1
2	931150	Cover - Terminal		1
3	836006	CRPH Self Screw - SS	3X16	2
4	931195	Grommet - Terminal		1
5	931844	Connector - Pillar		1
6	931123	Bracket - Capacitor		1
7	931872	Capacitor 12.5 μ F assy	12.5 μ F	1
8	931873	Capacitor 60-80 μ F assy	60-80 μ F	1
9	817103	CR Pan Head Screw - St	M4X10	4
10	841103	CRCSK Head Self Screw - St	4X10	2
11	931298	Guide Cable		1
12	836004	CRPH Self Screw - SS	3.5X13	1
13	835002	CRPH Self Screw - St	2.9X9.5	2
14	866050	External Toothed Washer - St	M5	2
15	845052	Washer - SS	5.2X10X1.6	2
16	817203	CR Pan Head Screw - St	M5X10	2



Electrical Group

Ref. No	Part No	Description	Size	Qty
17	931861	7Core cable assy		1
18	931863	Wire Assy - (S2 to F2)		1
19	931864	Wire Assy - (S1 to F1)		1
20	931865	Wire Assy - (X3 to S1, S2 & S3 +VE)		1
21	931866	Wire Assy - (X3 to S1, S2 & S3 -VE)		1
22	931895	2 Core cable assy (Pump)		1
23	931868	Earth cable assy (BM)		1
24	931870	Earth cable assy (Connector)		1
25	931871	Wire Assy - (S3 TO F3)		1



PORT A SCRUB 14 Assy

Ref. No	Part No	Description	Size	Qty
1	829307	Hex Soc CSK Hd Screw - SS	M6X20	2
2	931147	Washer - Deflector		4
3	829308	Hex Soc CSK Hd Screw - SS	M6X25	2

LIMITED WARRANTY

Minuteman International, Inc. warrants to the original purchaser/user that this product is free from defects in workmanship and materials under normal use and service for a period of one year from date of purchase. In addition, Minuteman International, Inc will, at its option, honor labor warranty claims for the first 6 months from date of sale, provided such claims are submitted through and approved by factory authorized repair stations. Minuteman International, Inc will, at its option, repair or replace without charge, except for transportation costs, parts that fail under normal use and service when operated and maintained in accordance with the applicable operation and instruction manuals.

This warranty does not apply to normal wear, or to items whose life is dependent on their use and care, such as belts, cords, switches, hoses, rubber parts, electrical motor components or adjustments. Parts not manufactured by Minuteman International, Inc such as engines, batteries, battery chargers, hydraulic pumps, and tires are covered by and subject to the warranties and/or guarantees of their manufacturers. Please contact Minuteman International, Inc for procedures in warranty claims against these manufacturers.

Special warning to purchaser - Use of replacement filters and / or pre-filters not manufactured by Minuteman International, Inc. or its designated licensees will void all warranties expressed or implied.

A potential health hazard exists without exact original equipment replacement.

All warranted items become the sole property of Minuteman International, Inc. or its original manufacturer, whichever the case may be.

Minuteman International, Inc. disclaims any implied warranty, including the warranty of merchantability and the warranty of fitness for a particular purpose. Minuteman International Inc. assumes no responsibility for any special, incidental or consequential damages.

This limited warranty is applicable only on the U.S.A. and Canada, and is extended only to the original user / purchaser of this product. Customers outside the U. S. A and Canada should contact their local distributor for export warranty policies. Minuteman International Inc. is not responsible for costs or repairs performed by persons other than those specifically authorized by Minuteman International, Inc. This warranty does not apply to damage from transportation, alterations by unauthorized person, misuse or abuse of the equipment, use of non-compatible chemicals, or damage to property, or loss of income due to malfunctions of the product.

If a difficulty develops with this machine, you should contact the dealer from whom it was purchased.

This warranty gives you specific legal rights, and you may have other rights, which vary from state to state. Some states do not allow the exclusion of limitation of special, incidental or consequential damages, or limitations on how long an implied warranty lasts, so the above exclusions and limitations may not apply to you.

Minuteman[®]

World Headquarters
Minuteman International, Inc.
111 South Rohlwing Road
Addison, Illinois 60101

(630) 627-6900
FAX (630) 627-1130

Minuteman Canada, Inc.
2210 Drew Road,
Mississauga, Ontario
L5S 1B1

(905) 673-3222
FAX (905) 673-5161

European Representative
Mr. Scott Anderson,
Minuteman Europe B . V
Oceanenweg 5B-7A,
1047 AB Amsterdam,
The Netherlands.

3130093
Rev * 12/06
Printed in U.S.A